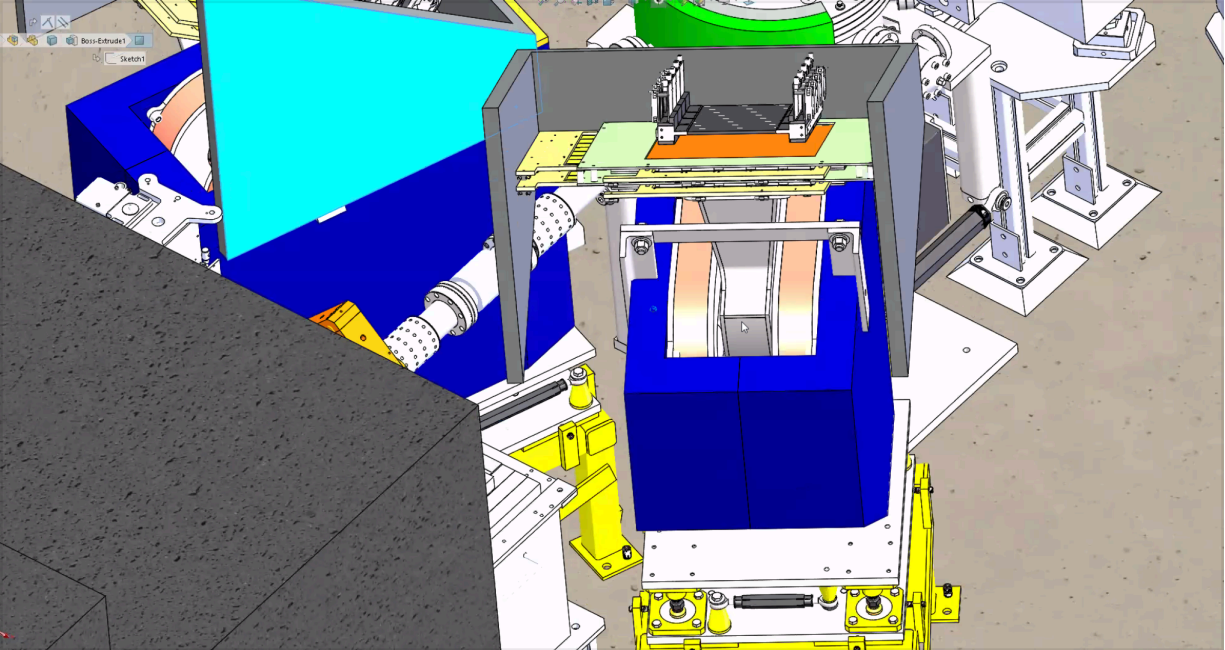
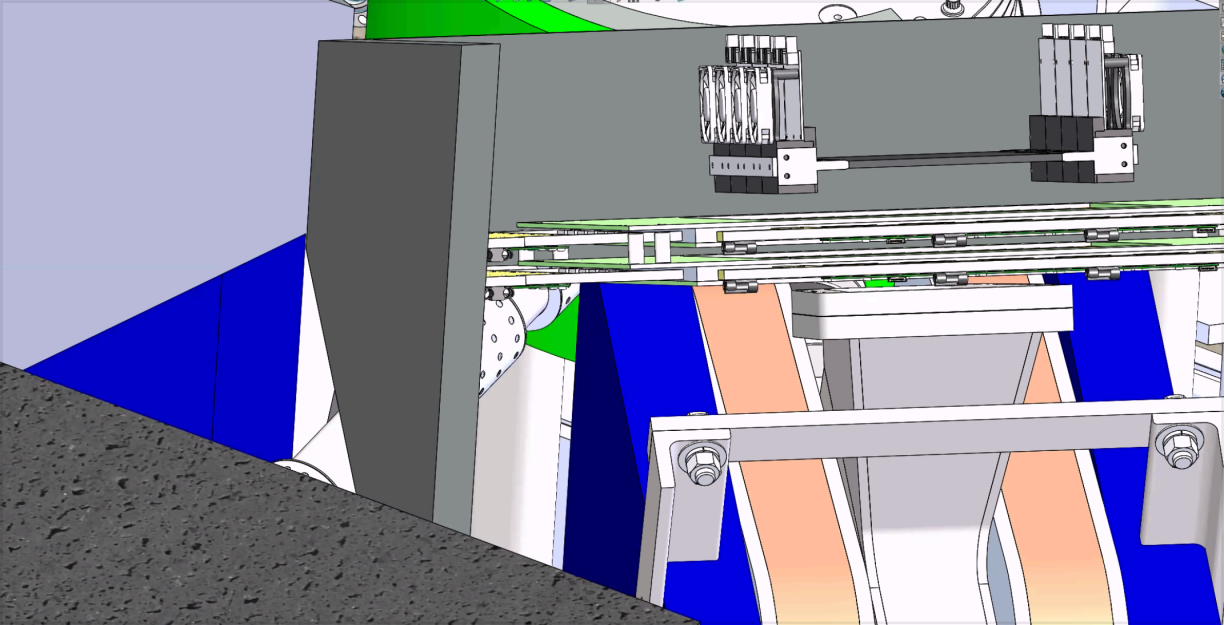


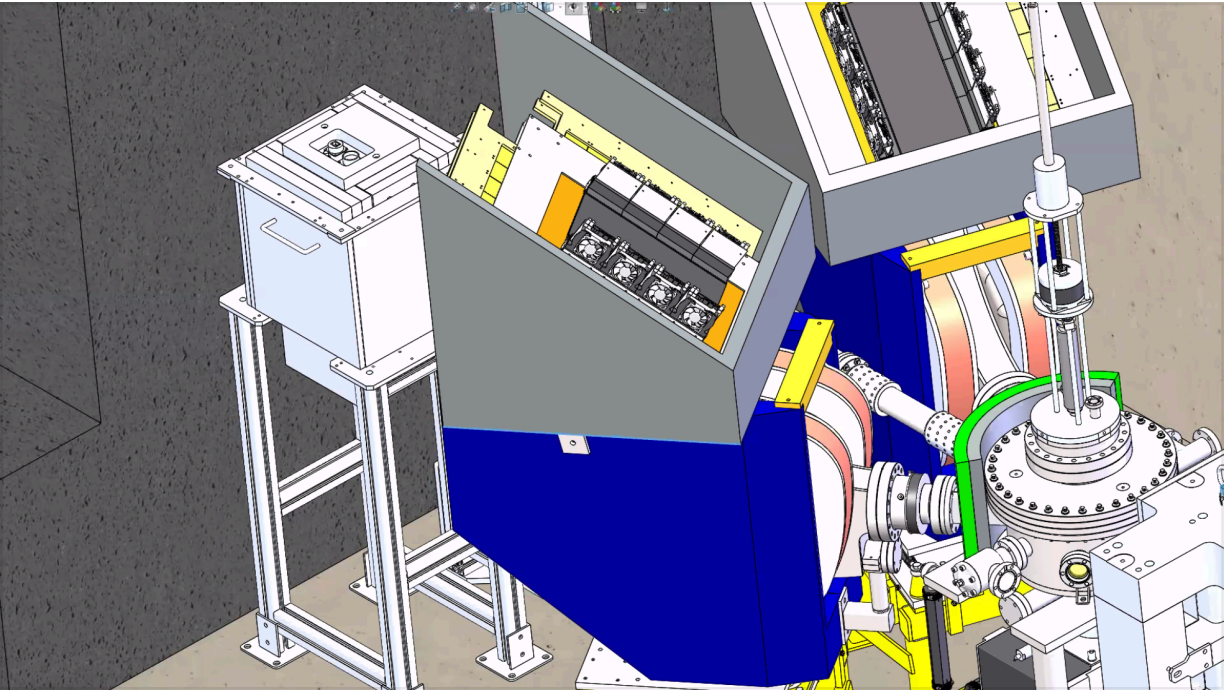
Sides of shielding are currently ~connected only through scintillators, but final design will obviously support this. Currently just placeholders.



small HDMI cable routing clamp is a mcmaster-carr part.



Jan reminds that the lead can only be removed by a crane if it is heavy (current 1" side plate is 60+ lbs) , so tight-fitting would make accessing connectors, cables etc difficult.



Again, this is just a placeholder design. A separate meeting will develop an actual design.